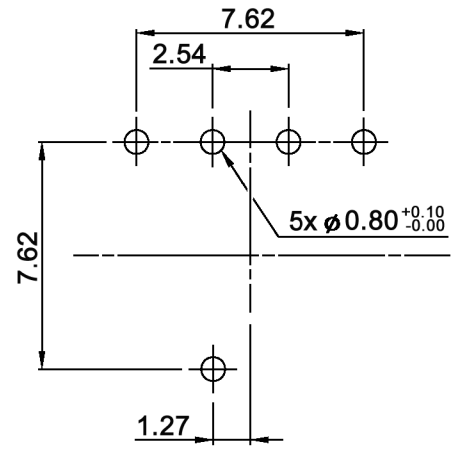


P.C.B. LAYOUT



TYPE	CIRCUIT CHARACTERISTIC										
	CODE	POSITION									ON
		0	1	2	3	4	5	6	7	8	9
DRS 3010	1		●		●		●		●		●
	2			●	●			●	●		
	4					●	●	●	●		
	8									●	●

Compliance: RohS II (2011/65/EU)

Tolerances: ±0.20mm max.	Date	Name
	06/08	dr
Dimensions	02/09	dr
Modifications	Date	Name

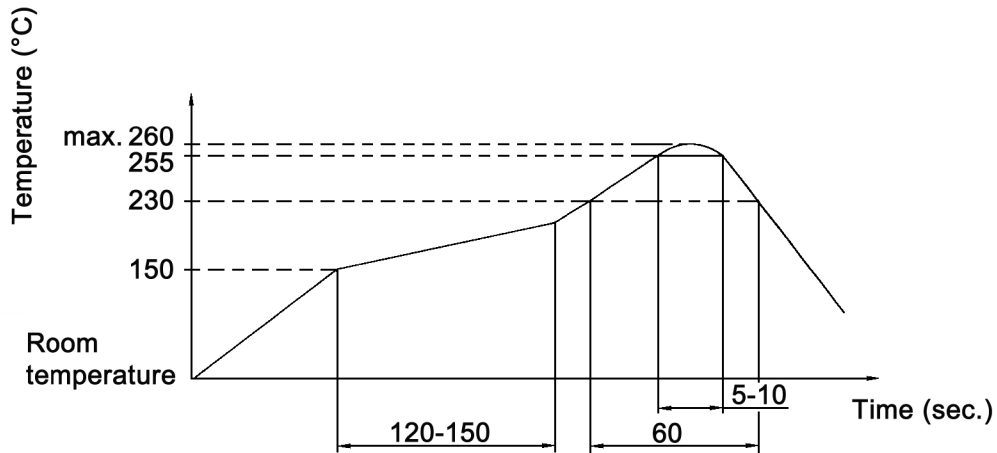
DRS 3010

30 14 92

knitter-switch	Page
	1/2

Specifications:

Contact rating: non-switching: 100mA, 50V DC
 switching: 30mA, 15V DC
Contact resistance: 100mOhm max.
Insulation resistance: 1 000MOhm min. at 250V DC
Dielectric strength: 250V AC for 1 minute
Operating temperature: -40°C to +85°C
Mechanical life: 20 000 cycles min.
Operating force: 250 gf.cm max.
Material: Base / cover: high-temp. thermoplastic nylon UL94V-0,
 molded black
 Movable contact: alloy copper, gold plated
 Actuator: high-temp. thermoplastic nylon UL94V-0,
 color: yellow
 O-ring: silicone
 Spring: stainless steel
 Terminal: brass, gold plated
Soldering conditions: wave soldering: 260°C, 5sec. max.
 through hole reflow: 260 +/-5°C, 4-6sec.



Compliance: RohS II (2011/65/EU)

Tolerances: ±0.20mm max.	Date	Name	DRS 3010	30 14 92	Page
	06/08	dr			
			knitter-switch		
					2/2
Modifications	Date	Name			